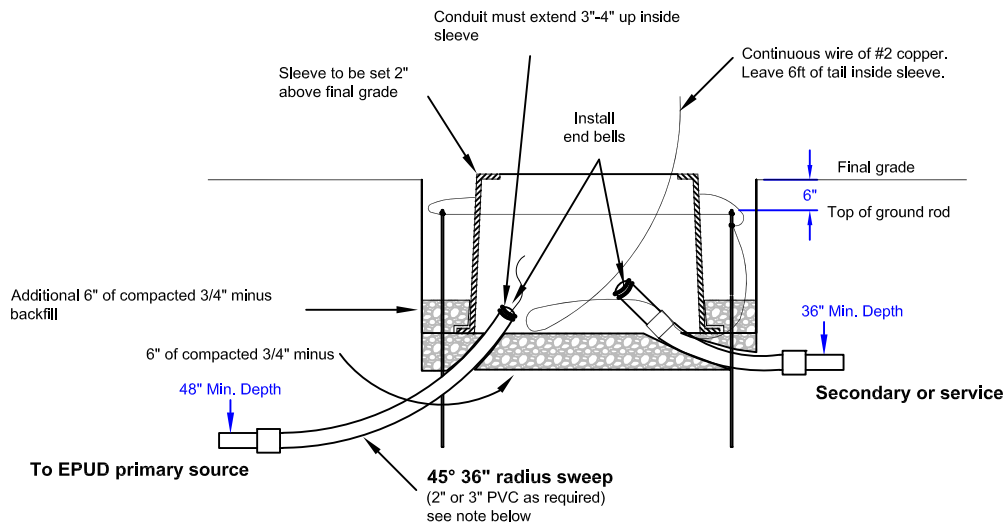
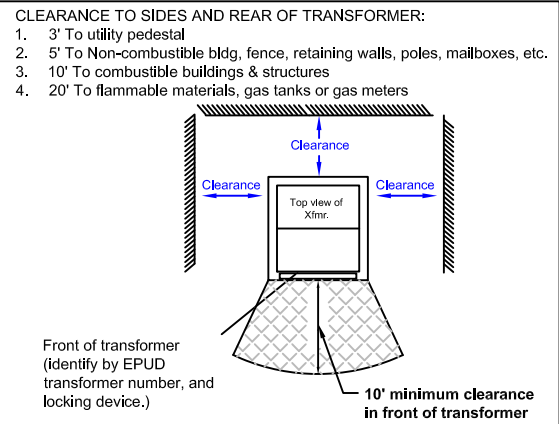
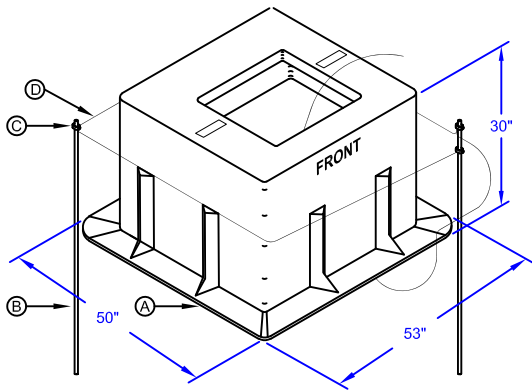


REMEMBER ... CALL 811 BEFORE YOU DIG!

1. Customer's equipment must be approved by a State of Oregon certified electrical inspector.
2. A building permit is required and an electrical inspection must be passed prior to connection.
3. Service will not be energized until installation meets all EPUD specifications.



Notes:

1. End bells shall be installed on all conduits coming into all ground sleeves, concrete vaults, and junction boxes.
2. For conduit runs over 500' fiberglass 36" radius elbows are required.

ITEM	QUANTITY	DESCRIPTION	PART NUMBER
A	1	Ground Sleeve Shrubline 30" Depth	6724-2010
B	2	Rod Ground Copperweld 5/8" x 8'	6146-0906
C	3	Connector Ground Rod	4629-0501
D	35 Ft.	Wire Copper Bare #2 Solid Soft Drawn	4518-0507

EMERALD PEOPLE'S UTILITY DISTRICT

Electrical Service Specifications

Single Phase Padmount Shrubline Fiberglass Transformer/Sleeve