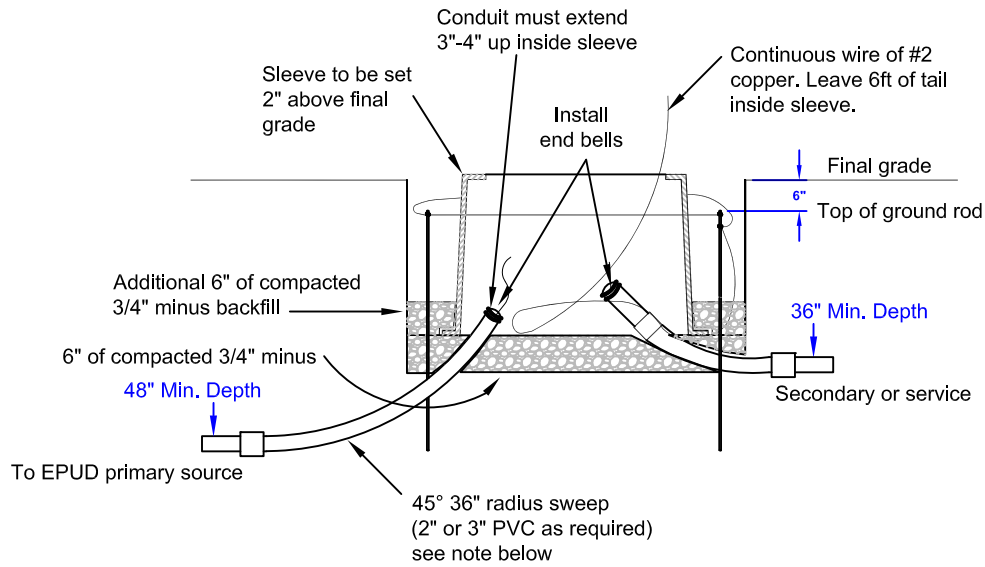
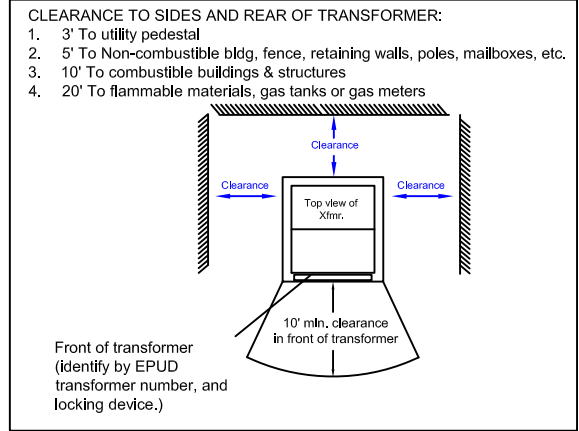
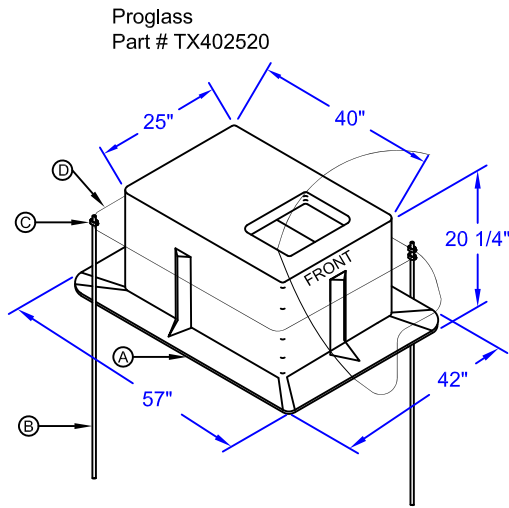


REMEMBER ... CALL 811 BEFORE YOU DIG!

1. Customer's equipment must be approved by a State of Oregon certified electrical inspector.
2. A building permit is required and an electrical inspection must be passed prior to connection.
3. Service will not be energized until installation meets all EPUD specifications.



Note:
End bells shall be installed on all conduits coming into all ground sleeves, concrete vaults, and junction boxes.

ITEM	QUANTITY	DESCRIPTION	PART NUMBER
A	1	Groundsleeve Ranchrunner	6724-1005
B	2	Rod ground copperweld 5/8" x 8'	6146-0906
C	3	Connector ground rod clamps	4629-0501
D	35 Ft.	Wire copper bare #2 solid soft drawn	4518-0507

EMERALD PEOPLE'S UTILITY DISTRICT

Electrical Service Specifications

Padmount Ranchrunner Transformer/Sleeve