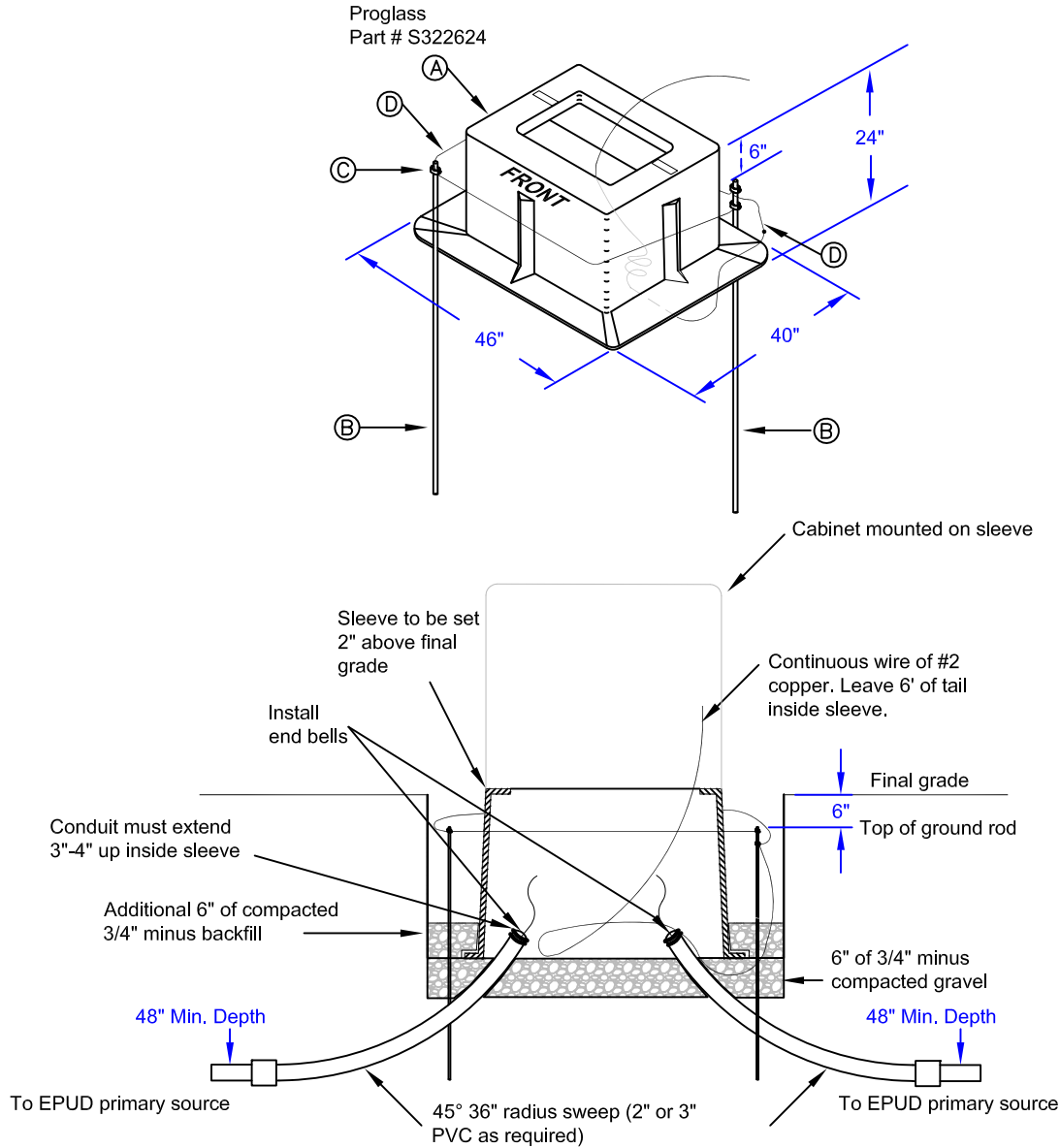


REMEMBER ... CALL 811 BEFORE YOU DIG!

1. Customer's equipment must be approved by a State of Oregon certified electrical inspector.
2. A building permit is required and an electrical inspection must be passed prior to connection.
3. Service will not be energized until installation meets all EPUD specifications.



NOTE:

1. End bells shall be installed on all conduits coming into all ground sleeves, concrete vaults, and junction boxes.

ITEM	QUANTITY	DESCRIPTION	PART NUMBER
A	1	Ground Sleeve 1PH Cabinet	6724-0928
B	2	Ground Rod, Copperweld 5/8" x 8'	6146-0906
C	3	Ground Rod Connector Clamp	4629-05-01
D	35 FT	Copper Wire, Bare #2 SOL Soft Drawn	4518-05-07

EMERALD PEOPLE'S UTILITY DISTRICT

Electrical Service Specifications

Single Phase Padmount Cabinet/Sleeve